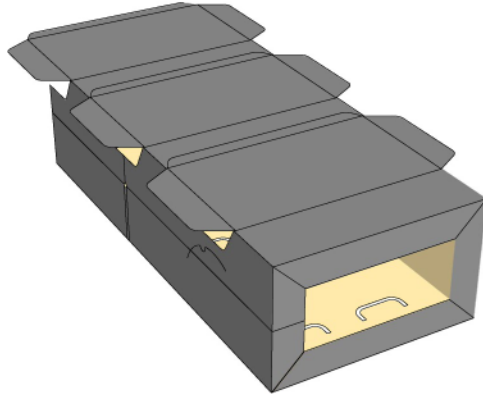


Presto POP 3-Tier Floor Display

Display Setup

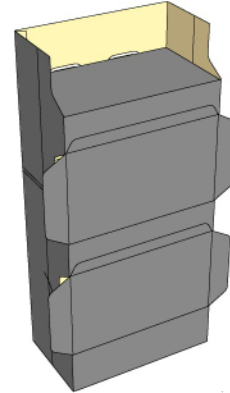
Step 1

Lay on flat surface and lift up side to form a rectangular box. Fold in bottom panels.



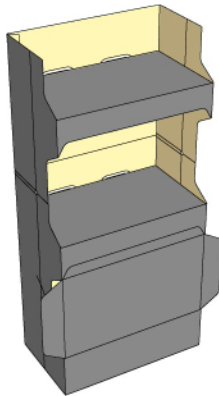
Step 2

Stand display up on folded bottom panels.



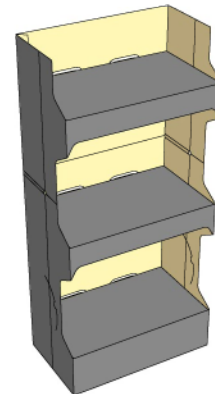
Step 3

Fold shelf wings into box to create counter space.



Step 4

Repeat steps for the the other two shelves. Attach header in slot at top of display.



Storage

Reverse steps and store in a cool dry location.

